

MOUNTING INSTRUCTIONS

KIT LICENCE PLATE
YAMAHA MT-09 '17

YMT9104-17S

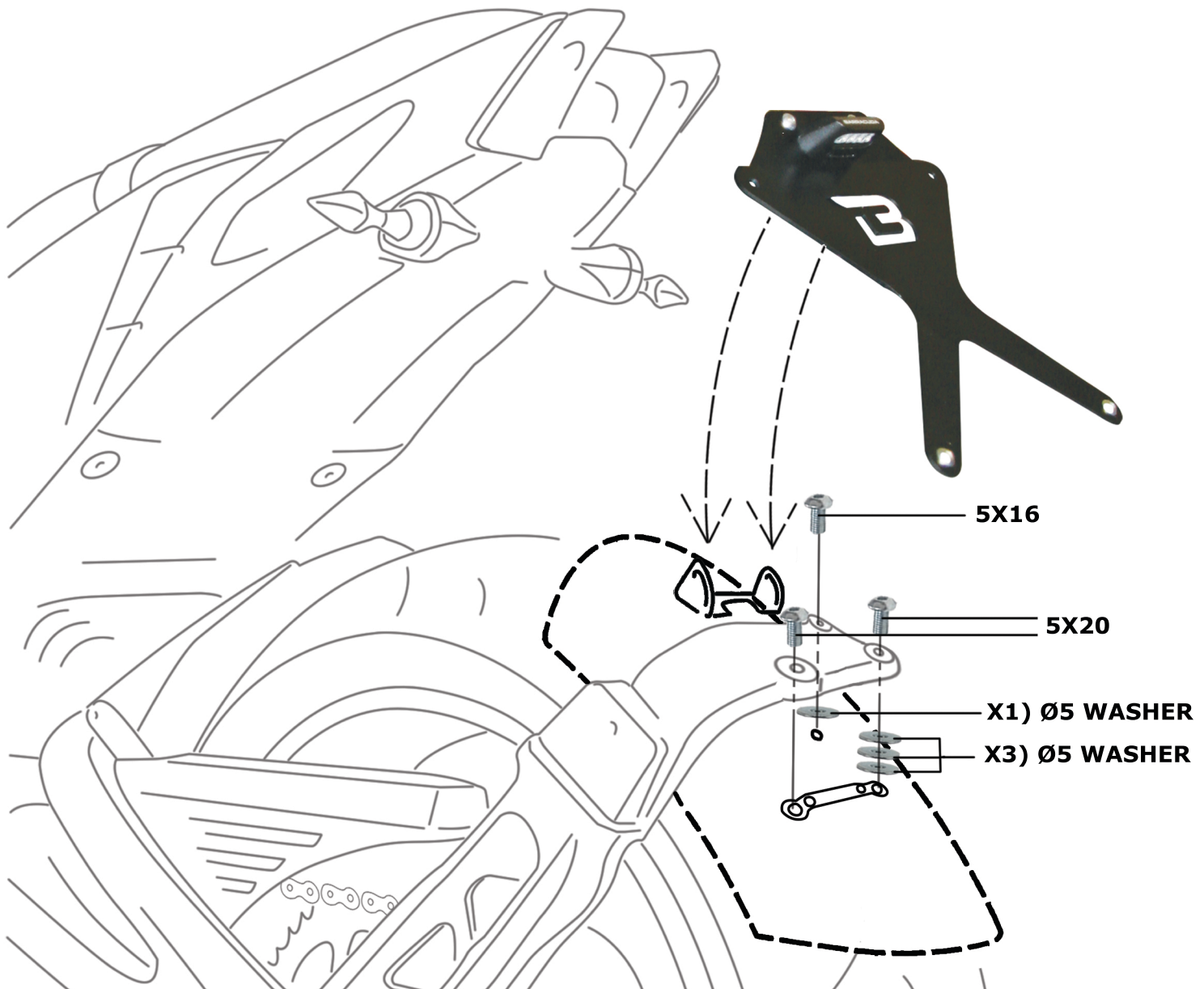
WWW.BARRACUDAMOTO.COM

KIT

X1. SPECIFIC BRACKET
X4. WASHER Ø 5 LARGE
X2. SCREW 5X20 "ROUND HEAD"
X1. SCREW 5X16 "ROUND HEAD"
X2. SCREW 5X10 "ROUND HEAD"
X1. SQUADRED NEOPRENE
X1. "X" LICENCE PLATE SF

MOUNTING PROCEDURE:

- REMOVE THE ABS SIDE ORIGINALI LICENCE PLATE AND FIX THE BARRACUDA REAR FENDER USING THE SCREWS 5X15 AND 5X20 AND WASHER LIKE THE MOUNTING SCHEME;
- LOCK THE SCREWS AND REPEAT THE OPERATION FOR ALL THE FIXING POINTS OF BRACKETS;
- APPLY THE "X" TO THE JUNCTION OF SPECIFIC BRACKETS;



NOTE: WE ADVISE AN INCLINATION NOT EXCEEDING TO 30° TO AVOID SANCTIONS AND POSSIBLE DAMAGES