

HYPERPRO

STEERING DAMPER MOUNTING KIT

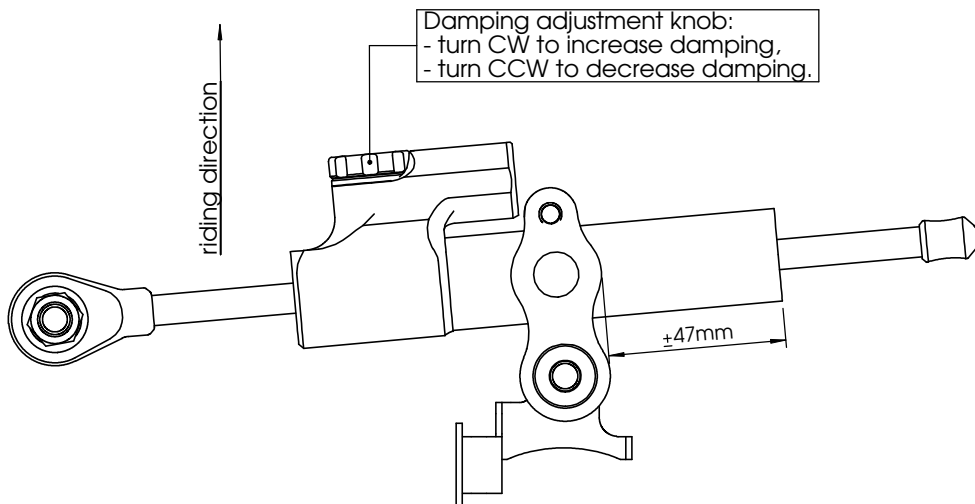
for

**YAMAHA R1
Model 2009 ->**

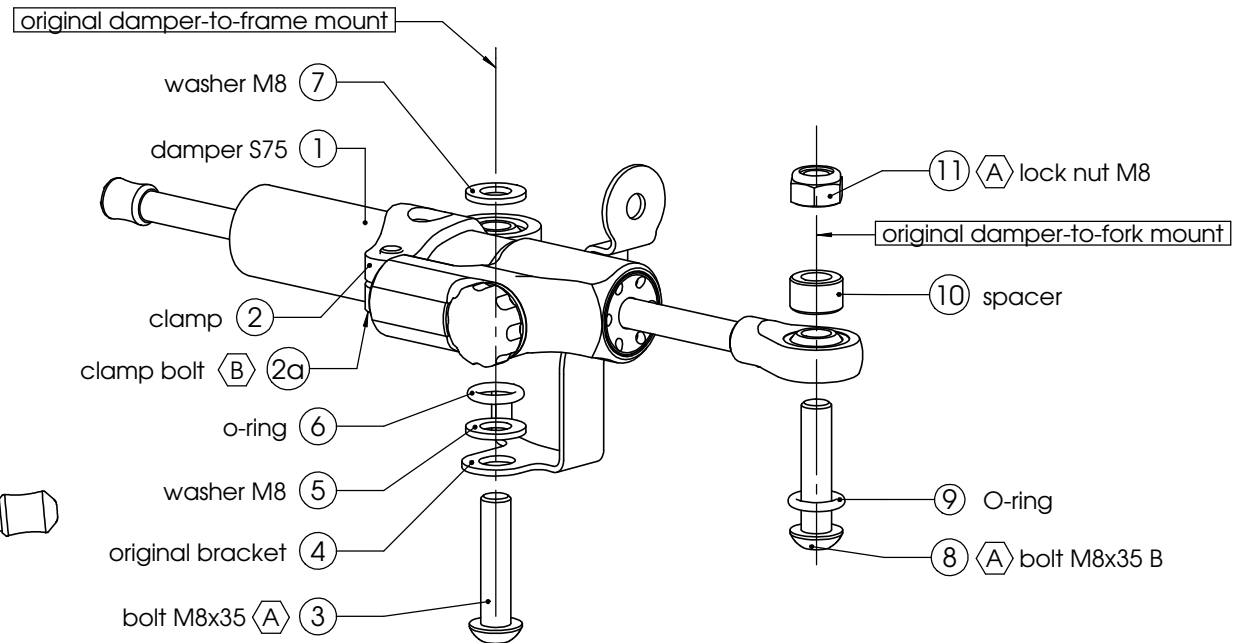
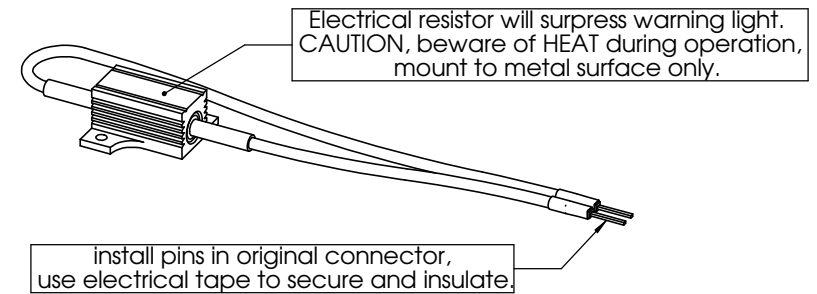
MK-YA10-0003 PART LIST

SD stroke 75	1	-	-
SD Clamp (MP-DB078270)	1	-	-
Spacer (MP-SP0008)	1	-	-
O-Ring	2	-	-
M8x35 Button head	2	-	-
Lock-nut M8	1	-	-
Washer M8 ϕ 16	2	-	-
Electr. resistor (MP-ELEC02)	1	-	-

ALL IDEAS, DESIGNS ARRANGEMENTS AND PLANS INDICATED OR REPRESENTED BY THIS DRAWING ARE OWNED BY HYPERPRO AND WERE CREATED, EVOLVED AND DEVELOPED FOR USE ON AND IN CONNECTION WITH THE SPECIFIC PROJECT. NONE SUCH IDEAS, DESIGNS, ARRANGEMENTS OR PLANS SHALL BE USED BY OR DISCLOSED TO ANY PERSON, FIRM OR CORPORATION FOR ANY PURPOSE WHATSOEVER WITHOUT THE WRITTEN PERMISSION OF HYPERPRO.



- remove original steering damper
- install electrical resistor



- (A) 14-17Nm / 124-150Lbs.In / 10.3-12.5Lbs.Ft
(B) 6Nm / 53Lbs.In / 4.4Lbs.Ft

HYPERPRO

STEERING DAMPER MOUNTING KIT

for

**YAMAHA R1
Model 2009 ->**

MK-YA10-0003 INSTALLATION INSTRUCTIONS

In general:

HYPERPRO can not be held responsible in any way for any form of physical, material, financial or other damage arising from use, assembly or overhaul of HYPERPRO products. HYPERPRO reserves the right to make changes without prior notice.

This product is ONLY TO BE INSTALLED BY A PROFESSIONAL MECHANIC.

This product is only to be used for the motorcycle brand, model and year stated specifically on top of the pages of this manual.

DO NOT attempt to install this product on motorcycles from any different brand, model and/or year than stated on the pages of this manual.

DO NOT use this kit for cars, boats, jet-skies, snowmobiles, ATV's, aircraft, hovercrafts or any other vehicle and/or purpose.

HYPERPRO steering dampers are FOR RACE USE ONLY, NOT FOR HIGHWAY USE!

Before installation:

- Please read the entire manual carefully before starting the installation!
- Check if you have all the tools required. Good tools are a must.
- Protect your bike at the most important places in and around the work area (e.g. tank, fairing, frame, etc.), with a blanket, towel or similar.

During installation:

- Check all operations and parts carefully before, during and after performing each step.
- Clean all surfaces that are required for fitting parts together or for applying self adhesives or loctite, thoroughly with contact cleaner or another degreaser, unless otherwise stated.
- Be careful not to damage or scratch any part of your bike.
- ALWAYS work relaxed and concentrated!! It is very easy to damage something or make a mistake.

After installation:

- Check and make sure that there is no contact between any part of the steering damper kit and any part of the motorcycle. The kit should not hit anything. Steering movement should not be limited by the steering damper. If the steering movement is limited, adjust the position of the tube in the clamp until steering movement is normal again. Do not forget to tighten the clamp bolt again!
- ALWAYS check the steering movement and feeling before each ride !
- FIRST RIDES: Start with the damper turned fully open (turn adjuster knob fully counter clockwise). Start adjusting in between rides with steps of MAX. 2 CLICKS (0.25 TURN) EACH TIME, until the damper is working satisfactory for your riding style.
- NEVER USE MAXIMUM SETTING, ALWAYS OPEN AT LEAST 2 CLICKS (0.25 TURN).
- WARNING ! DAMPER HAS AN ACTIVE / SPEEDSENSITIVE DAMPING SYSTEM;
 - Steering with NORMAL MOVEMENT should be FREE !!
 - Steering with FAST MOVEMENT should be CONTROLLED BY DAMPER !!
- HYPERPRO uses a special seal to reduce friction. The seal uses an oil film to work properly. It is normal that some oil can appear on the pistonrod.
- Damper works with oil: DAMPING CAN BE HARDER AT LOWER TEMPERATURES!

Step 1: Remove the original steering damper

Remove the plastic panel from the bottom of the fairing and the left side fairing panel. Trace the steering damper's wire to find the electrical connector (left, behind frame) and disconnect it. Unbolt the center and left mounts of the original steering damper and remove it from the bike.

Step 2: damper and clamp pre-assembly

Pre-assemble the damper and clamp bracket using:

- Steering damper Stroke 75mm (1)
- Damper clamp (2)

Put the assembly together as shown on page 1: Place the damper through the clamp at the distance as shown. Rotate the damper body forward as shown.

Tighten the clamp bolt (2a) with a torque of approx 6Nm / 53Lbs.In / 4.4Lbs.Ft

Step 3: installing to the frame

Install the damper using:

- 1x Bolt M8x35 Button head (3)
- 2x Washer M8 Ø 16 (5) (7)
- 1x O-ring (6)

Use the bolt (3) to install the original bracket (4), washers (5) and (7), O-ring (6) and the clamp (2) in the correct order to the original mounting hole in front of the steering head under the cockpit frame. We advise to use loc-tite or similar to secure. Tighten the bolt with a torque of approx.14-17Nm/ 124-150Lbs.In/10.3-12.5Lbs.Ft.

Step 4: installing to the fork

Install the steering damper to the fork using:

- 1x Bolt M8x35 button-head (8)
- 1x O-ring (9)
- Spacer (10)
- Lock-nut M8 (11)

Move the ball joint of the damper inline with the fork mounting hole. Use the bolt (8) and O-ring (9) to fit the damper ball-joint and spacer (10) to the original mount hole in front of on the left forkleg. Fit the lock nut (11) on top and tighten the bolt and nut with a torque of approx.14-17Nm/ 124-150Lbs.In/10.3-12.5Lbs.Ft.

Check if the damper is level horizontally and aligned to the bike. Check if the damper does not touch anything when steering from left to right. Check if the bike can make it's full steering angle from left to right.

If necessary, loosen the clamp bolt (2), reposition the damper then tighten the clamp bolt (2) again with a torque of approx. 6Nm/53Lbs.In/4.4Lbs.Ft. Check movement again.

Step 5: fit electrical resistor

Install the supplied electrical connector to prevent the warning light to go on. Use insulating tape to secure and protect the connection.

RESISTOR CAN GET HOT DURING OPERATION, MOUNT ONLY TO METAL SURFACE.