

HYPHERPRO

STEERING DAMPER MOUNTING KIT

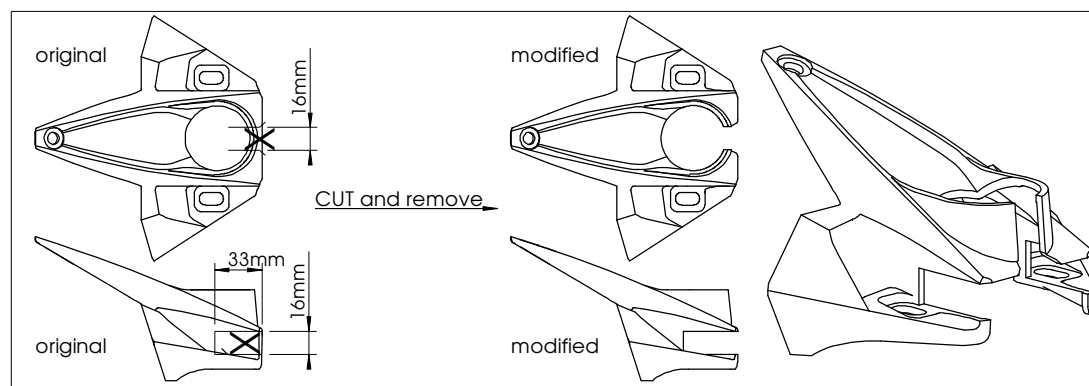
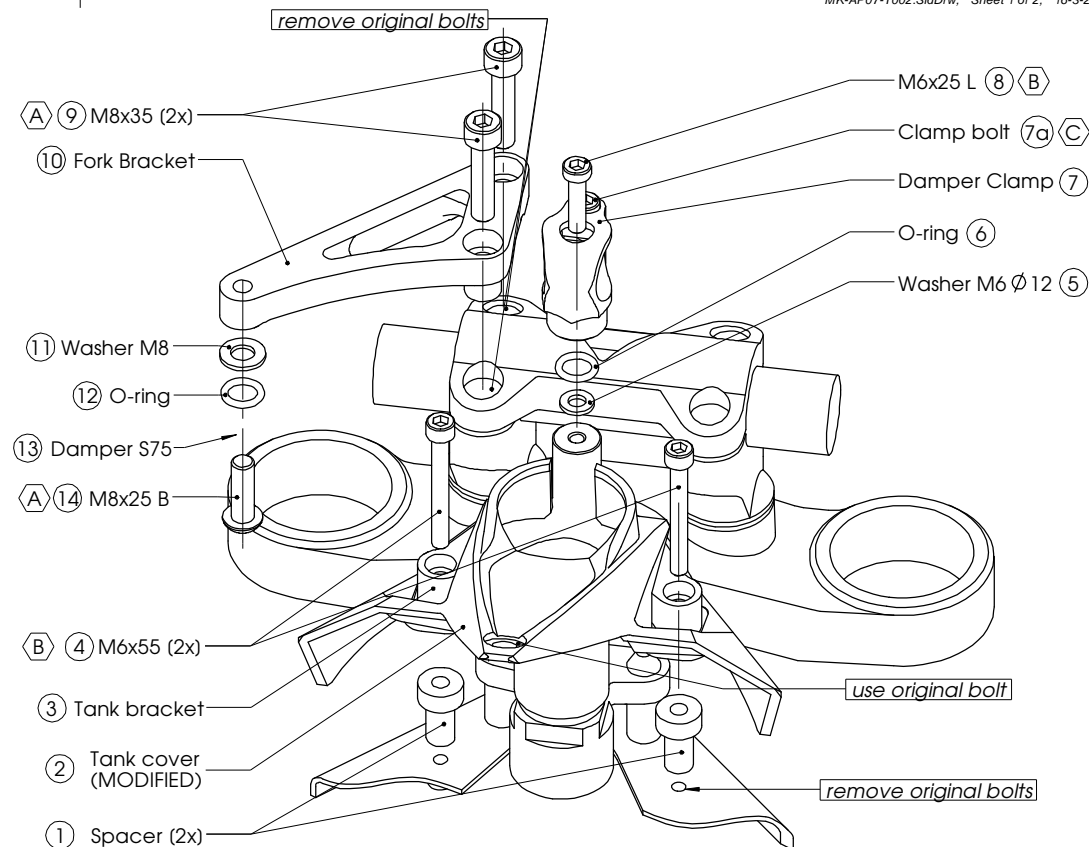
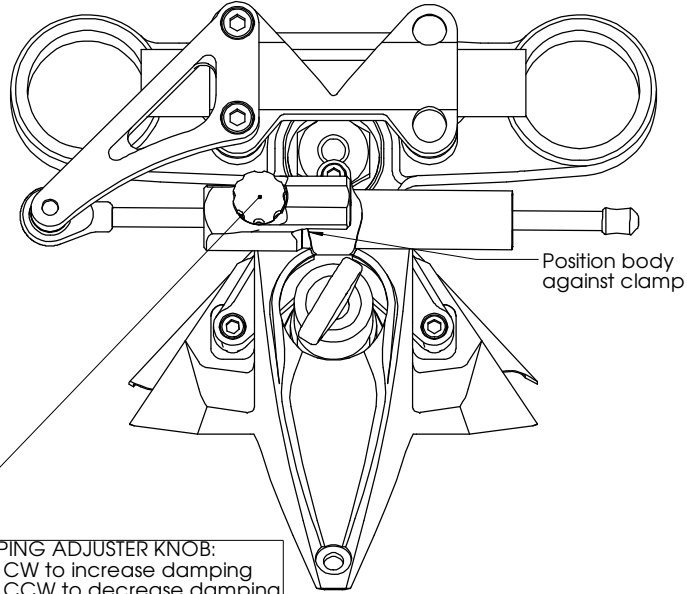
for

APRILIA Dorsoduro Model 2008>

MK-AP07-T002 PART LIST

SD stroke 75	1	M8x35	2
Tube Clamp TYPE 3	1	Washer M6 Ø 12	1
O-Ring	2	Washer M8 Ø 16	1
Fork Bracket (FOMK72)	1	Spacer (SP0019)	2
Tank Bracket (TAMK68)	1	-	-
M6x25 Low head	1	-	-
M6x55	2	-	-
M8x25 Button head	1	-	-

ALL IDEAS, DESIGNS ARRANGEMENTS AND PLANS INDICATED OR REPRESENTED BY THIS DRAWING ARE OWNED BY HYPERPRO AND WERE CREATED, EVOLVED AND DEVELOPED FOR USE ON AND IN CONNECTION WITH THE SPECIFIC PROJECT. NONE SUCH IDEAS, DESIGNS, ARRANGEMENTS OR PLANS SHALL BE USED BY OR DISCLOSED TO ANY PERSON, FIRM OR CORPORATION FOR ANY PURPOSE WHATSOEVER WITHOUT THE WRITTEN PERMISSION OF HYPERPRO.



- Ⓐ 14-17Nm / 124-150Lbs.In / 10.3-12.5Lbs.Ft Ⓒ 6Nm / 53Lbs.In / 4.4Lbs.Ft
- Ⓑ 5-9Nm / 44-80Lbs.In / 4.0-6.4Lbs.Ft

HYPERPRO

STEERING DAMPER MOUNTING KIT

for

APRILIA Dorsoduro Model 2008>

MK-AP07-T002 INSTALLATION INSTRUCTIONS

In general:

HYPERPRO can not be held responsible in any way for any form of physical, material, financial or other damage arising from use, assembly or overhaul of HYPERPRO products. HYPERPRO reserves the right to make changes without prior notice.

This product is ONLY TO BE INSTALLED BY A PROFESSIONAL MECHANIC.

This product is only to be used for the motorcycle brand, model and year stated specifically on top of the pages of this manual.

DO NOT attempt to install this product on motorcycles from any different brand, model and/or year than stated on the pages of this manual.

DO NOT use this kit for cars, boats, jet-skies, snowmobiles, ATV's, aircraft, hovercrafts or any other vehicle and/or purpose.

HYPERPRO steering dampers are FOR RACE USE ONLY, NOT FOR HIGHWAY USE!

Before installation:

- Please read the entire manual carefully before starting the installation!
- Check if you have all the tools required. Good tools are a must.
- Protect your bike at the most important places in and around the work area (e.g. tank, fairing, frame, etc.) with a blanket, towel or similar.

During installation:

- Check all operations and parts carefully before, during and after performing each step.
- Clean all surfaces that are required for fitting parts together or for applying self adhesives or loctite, thoroughly with contact cleaner or another degreaser, unless otherwise stated.
- Be careful not to damage or scratch any part of your bike.
- ALWAYS work relaxed and concentrated!! It is very easy to damage something or make a mistake.

After installation:

- Check and make sure that there is no contact between any part of the steering damper kit and any part of the motorcycle. The kit should not hit anything. Steering movement should not be limited by the steering damper. If the steering movement is limited, adjust the position of the tube in the clamp until steering movement is normal again. Do not forget to tighten the clamp bolt again!
- ALWAYS check the steering movement and feeling before each ride !
- FIRST RIDES: Start with the damper turned fully open (turn adjuster knob fully counter clockwise). Start adjusting in between rides with steps of MAX. 2 CLICKS (0.25 TURN) EACH TIME, until the damper is working satisfactory for your riding style.
- NEVER USE MAXIMUM SETTING, ALWAYS OPEN AT LEAST 2 CLICKS (0.25 TURN).
- WARNING ! DAMPER HAS AN ACTIVE / SPEEDSENSITIVE DAMPING SYSTEM;
 - Steering with NORMAL MOVEMENT should be FREE !!
 - Steering with FAST MOVEMENT should be CONTROLLED BY DAMPER !!
- HYPERPRO uses a special seal to reduce friction. The seal uses an oil film to work properly. It is normal that some oil can appear on the pistonrod.
- Damper works with oil: DAMPING CAN BE HARDER AT LOWER TEMPERATURES!

Step 1: modify and install the tank cover

The original tank cover (2) requires some modifications in order to fit in combination with this steering damper kit. WE RECOMMEND TO TRIAL FIT THE COMPLETE MOUNTING KIT FIRST. IF OK, THEN MODIFY THE TANK COVER AND REPEAT STEPS 2, 3 and 5 to complete.

SEE THE PICTURES ON PAGE 1: Use a sharp knife to cut out the 3 small parts of the tank cover (2), 1 in front of the ignition key hole and 1 on either side. Discard the cut parts and check the fitment over the tank bracket. Remove more if necessary to improve fitment. Once finished, use the original bolt for the rear hole.

Step 2: installing the tank bracket

Install the tank bracket using:

- 2x Spacer (1)
- MODIFIED Tank cover (2)
- Tank bracket (3)
- 2x bolt M6x55 (4)

Remove the tank cover (4) by unscrewing the 2 front bolts, then lift the front of the cover and pull it forward. Remove the original bolts from the points that are required for the tank bracket (1).

Install the tank bracket (1), using the supplied M6x50 bolt (2) and M8x45 bolt (3), as shown in the picture on page 1. Tighten the M6 bolt with a torque of approx. 5-9Nm/44-80Lbs.In/4.0-6.4Lbs.Ft and the M8 bolt with a torque of approx. 14-17Nm/124-150Lbs.In/10.3-12.5Lbs.Ft.

Step 3: installing the damper clamp

Install the tube clamp to the tank bracket using:

- Washer M6 ϕ 12 (5)
- 1x O-Ring (6)
- Tube Clamp Type 3 (7)
- Bolt M6x25 Low head (8)

Put the assembly together as shown on page 1: mount the washer (5), the O-ring (6) and the clamp (7) to the tank bracket using the M6 bolt (8). Tighten the bolt with a torque of approx. 5-9Nm/44-80Lbs.In/4.0-6.4Lbs.Ft.

Step 4: installing the fork bracket

Install the fork bracket using:

- 2x Bolt M8x35 (9)
- Fork bracket (10)

Loosen and remove the left 2 original handlebar clamp bolts. Install the fork bracket (10) using the supplied M8x35 (9) bolts. Tighten with a torque of approx. 14-17Nm/124-150Lbs.In/10.3-12.5Lbs.Ft

Step 5: installing the steering damper

Install the steering damper using:

- Steering damper, stroke 75 (13)
- Washer M8 ϕ 16 (11)
- 1x O-ring (12)
- Bolt M8x25 button head (14)

Ensure that the clamp bolt of the Tube clamp is pointing forward. Shove the damper (14), with the knob-end first, through the clamp until the ball joint can be fitted to the fork bracket. Use the washer (11), O-ring (12) and M8 bolt (14) to fit the balljoint to the bracket and tighten with a torque of approx. 14-17Nm/124-150Lbs.In/10.3-12.5Lbs.Ft. Position the damper body against the clamp and tighten the clamp bolt (7a) with a torque of approx. 6Nm/53Lbs.In/4.4Lbs.Ft. Check if the damper is level horizontally and aligned to the bike. Check if the damper does not touch anything (e.g. tank) when steering from left to right. Check if the bike can make its full steering angle from left to right.